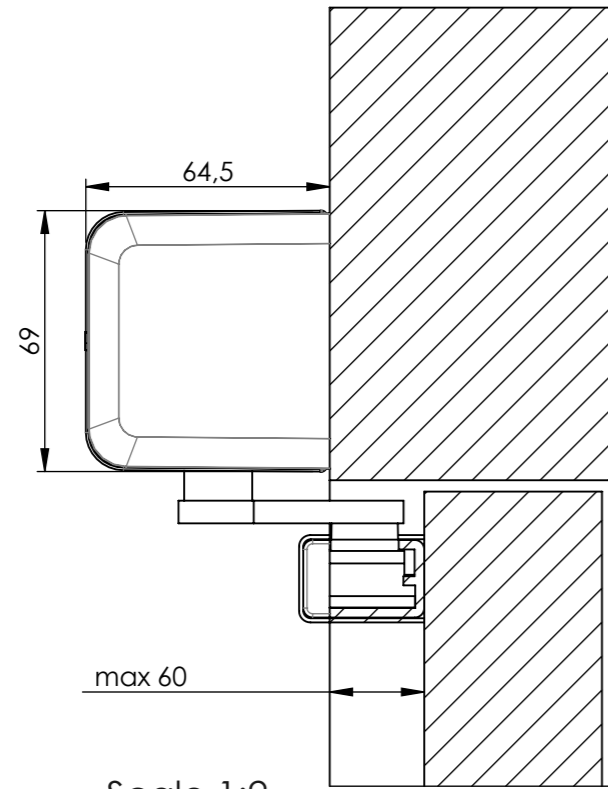
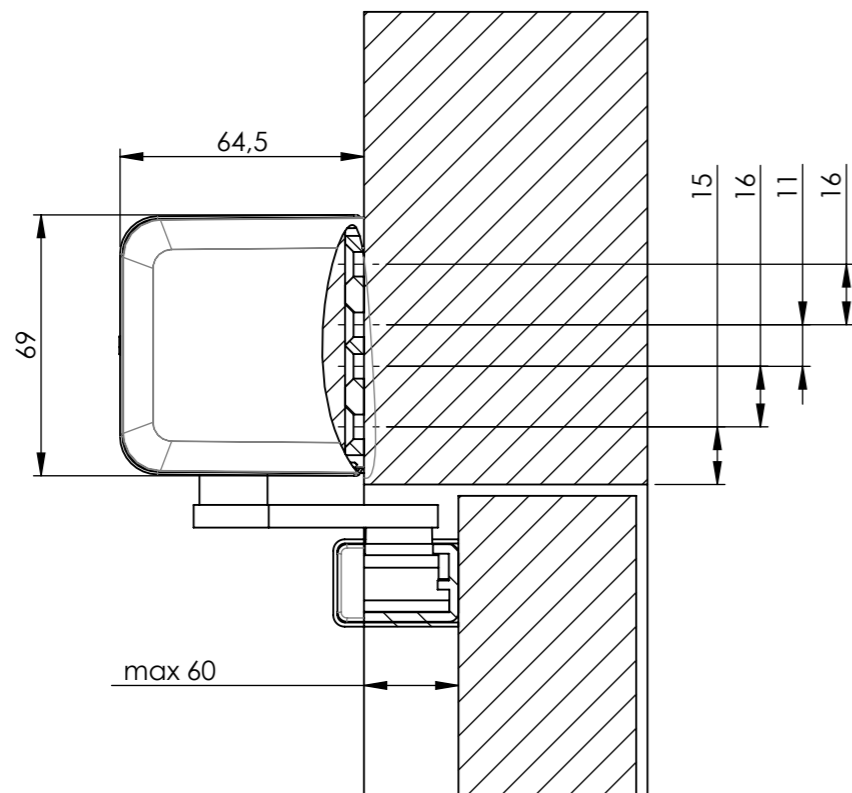


This work is copyright and no part may be reproduced, by any process, nor may any other exclusive right be exercised without the permission of ASSA ABLOY.

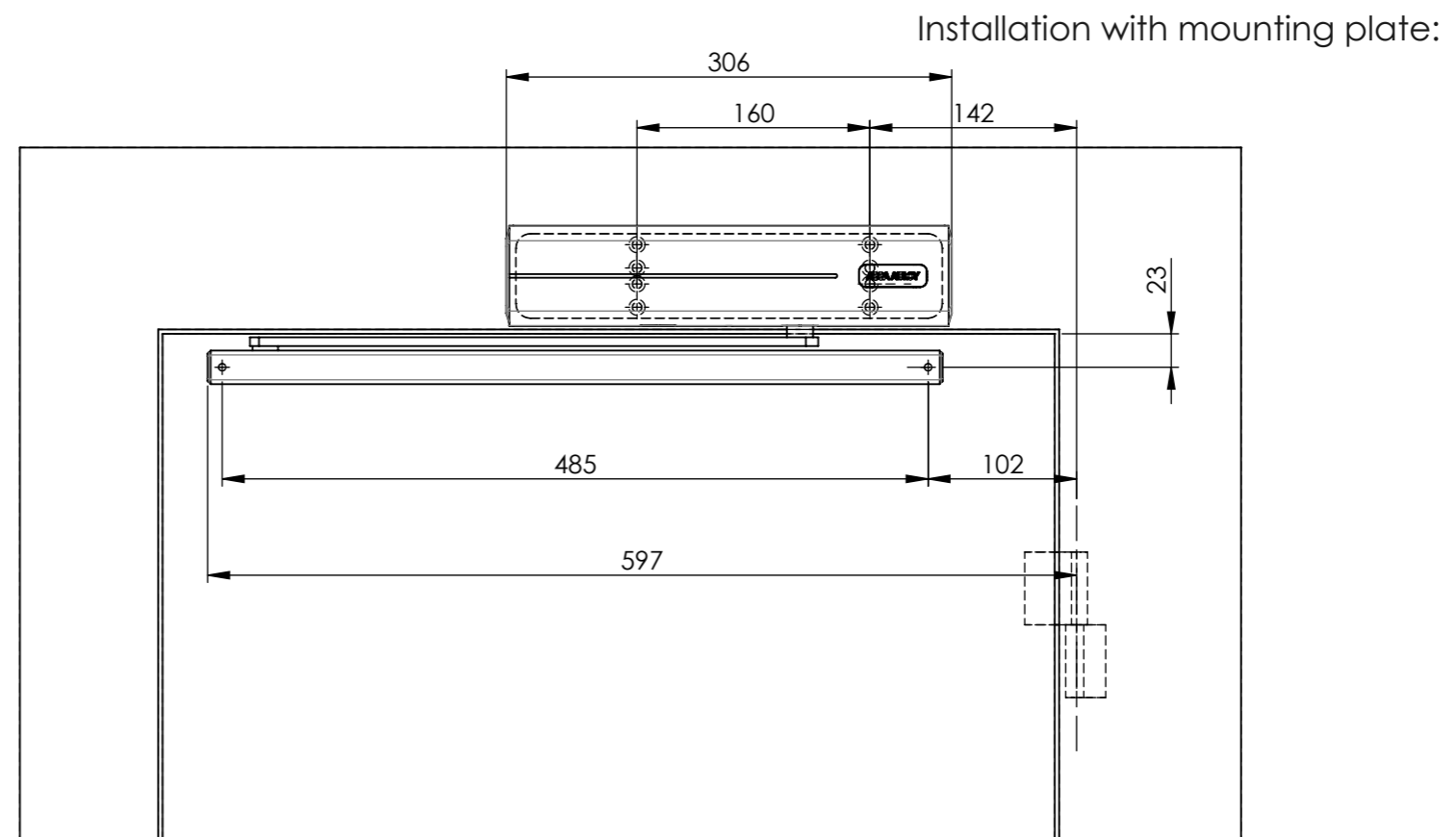
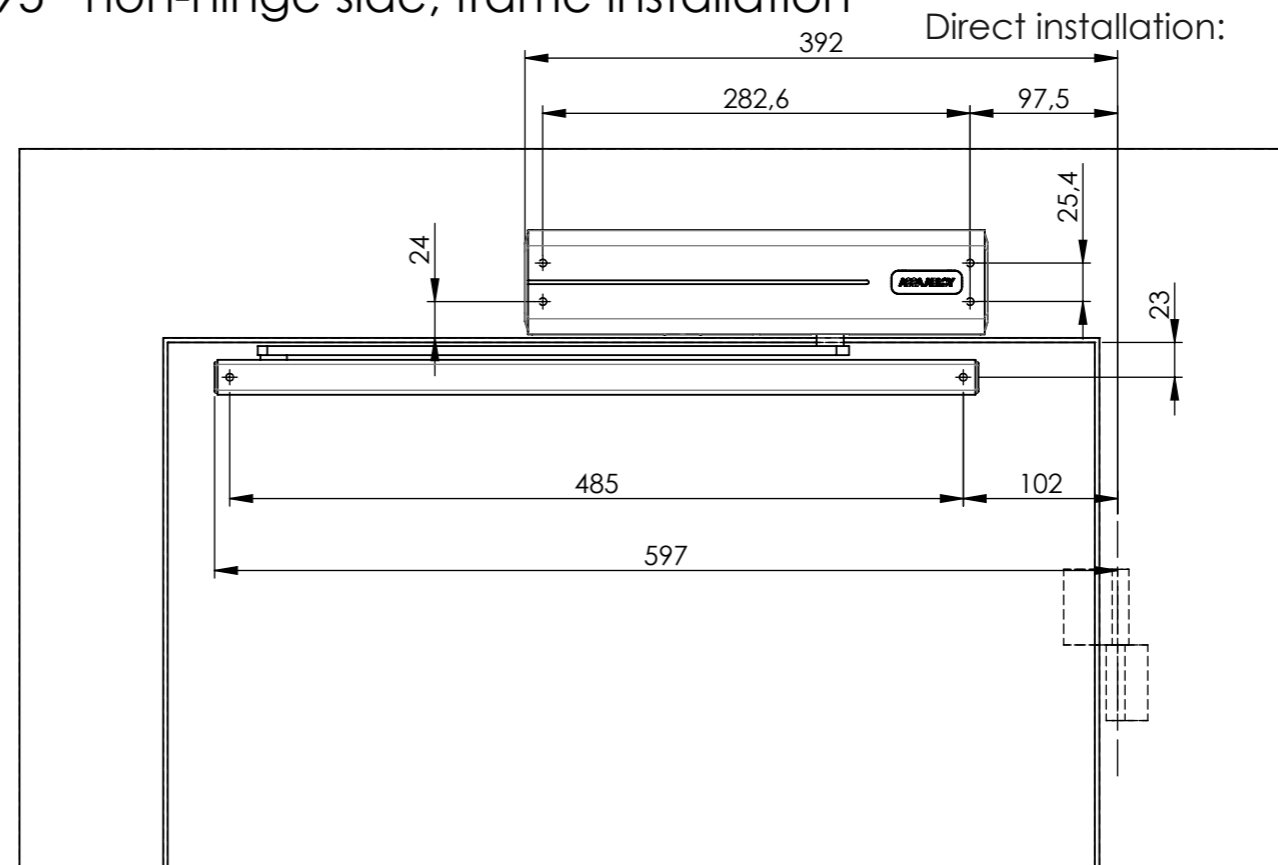
DC340 + G193/G195 non-hinge side, frame installation



Scale 1:2



Scale 1:2



Surface treatment:			Material:			General tolerance:		
Volume:	Mass:	Surface area:	Created (YYYY-MM-DD):	Designed by:	Drawn by:	Scale:	Projection:	
			2019-01-08			1:5 (A3)		
ASSA ABLOY			DC340+G193/G195			Alternate ID		
						Document ID		Rev.: