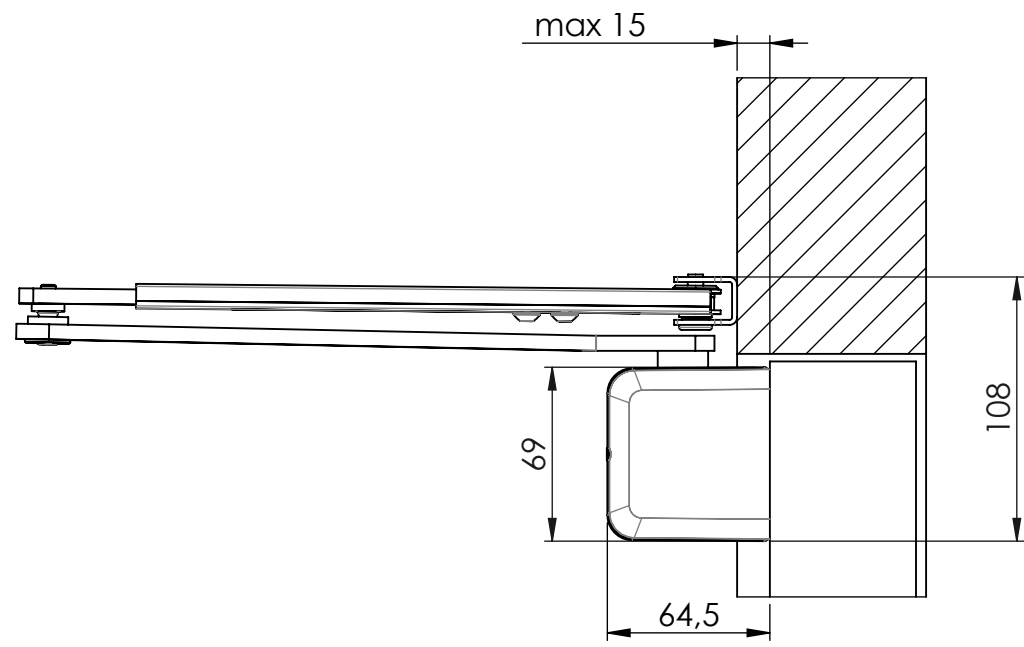


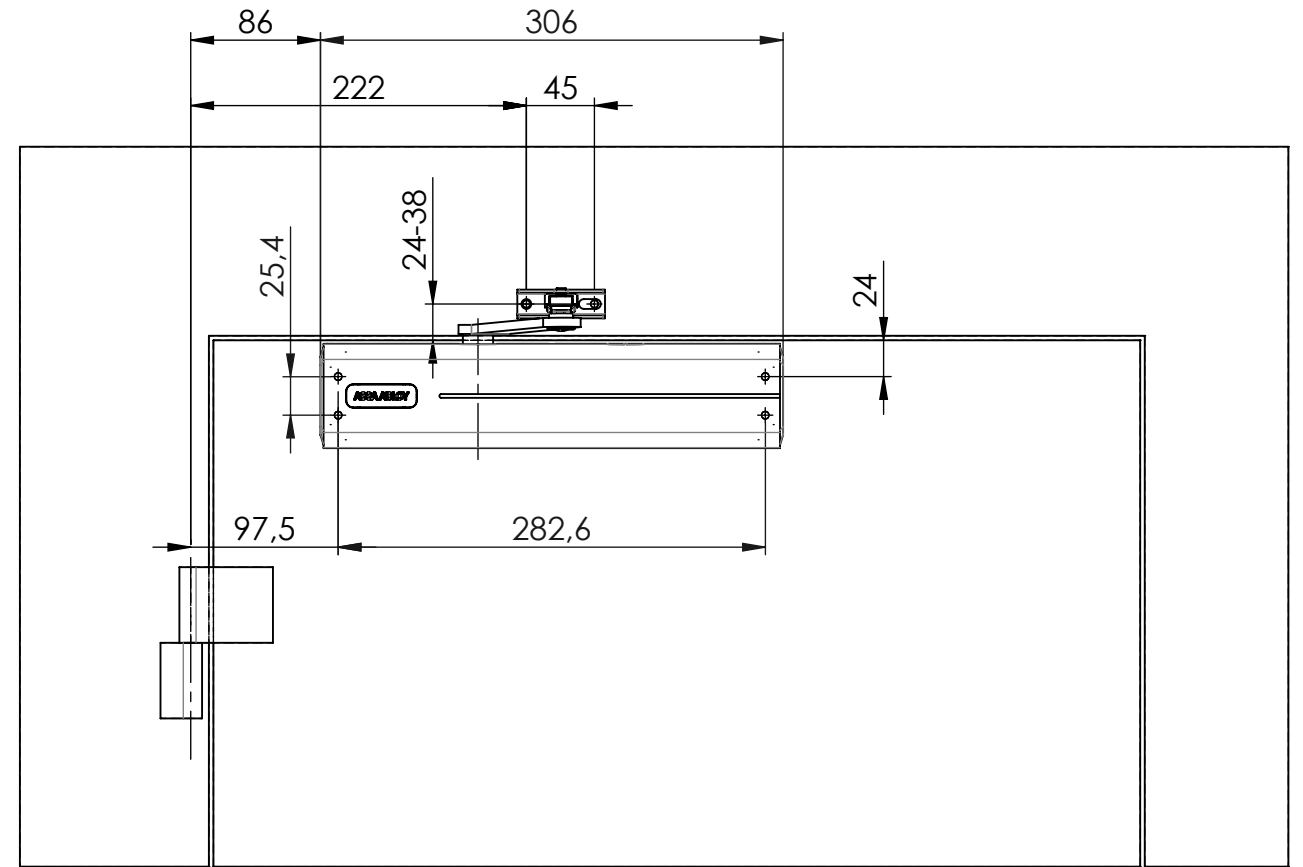
This work is copyright and no part may be reproduced, by any process, nor may any other exclusive right be exercised without the permission of ASSA ABLOY.

# DC340/DC347 + L190/L197/L199 Hinge side, door installation

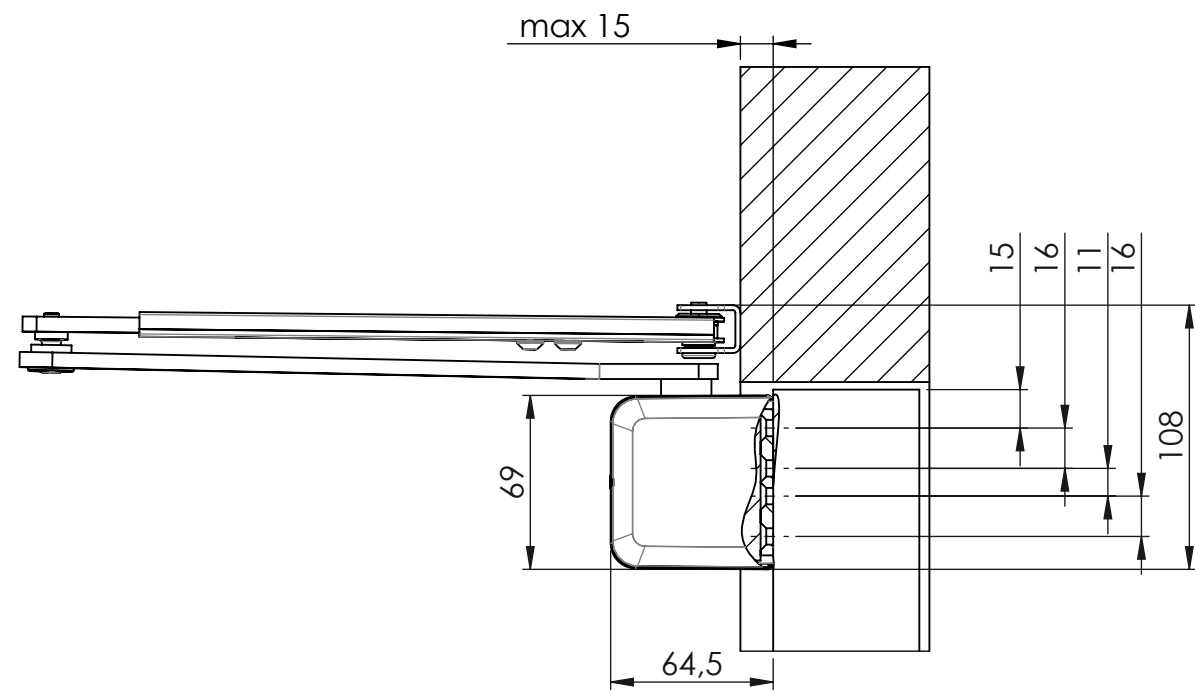
Direct installation:



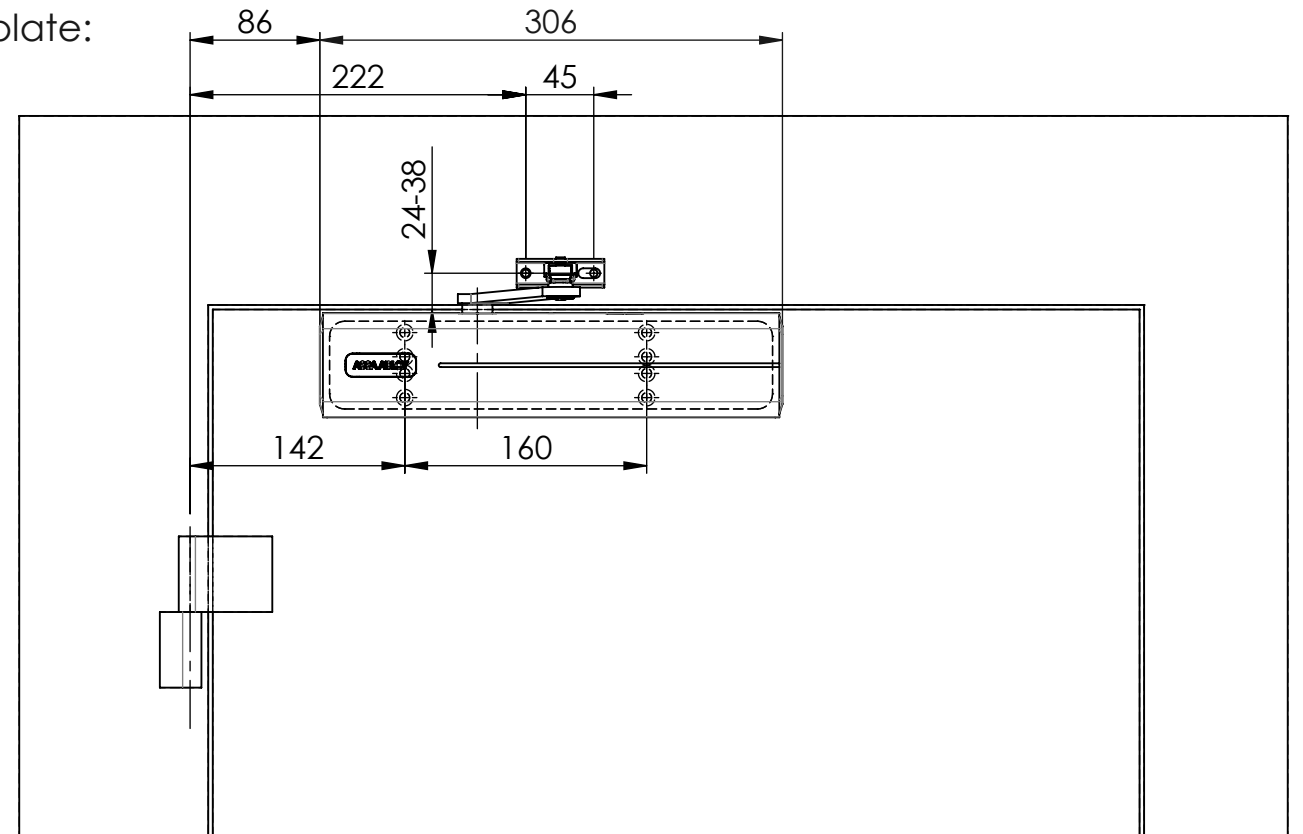
Scale 1:3



Installation with mounting plate:



Scale 1:3



Surface treatment:			Material:			General tolerance:		
Volume:	Mass:	Surface area:	Created (YYYY-MM-DD):	Designed by:	Drawn by:	Scale:	Projection:	
			2019-01-14			1:5 (A3)		
<b>ASSA ABLOY</b>			DC340/DC347 + L190/L197/L199			Alternate ID		
						Document ID		Rev.: