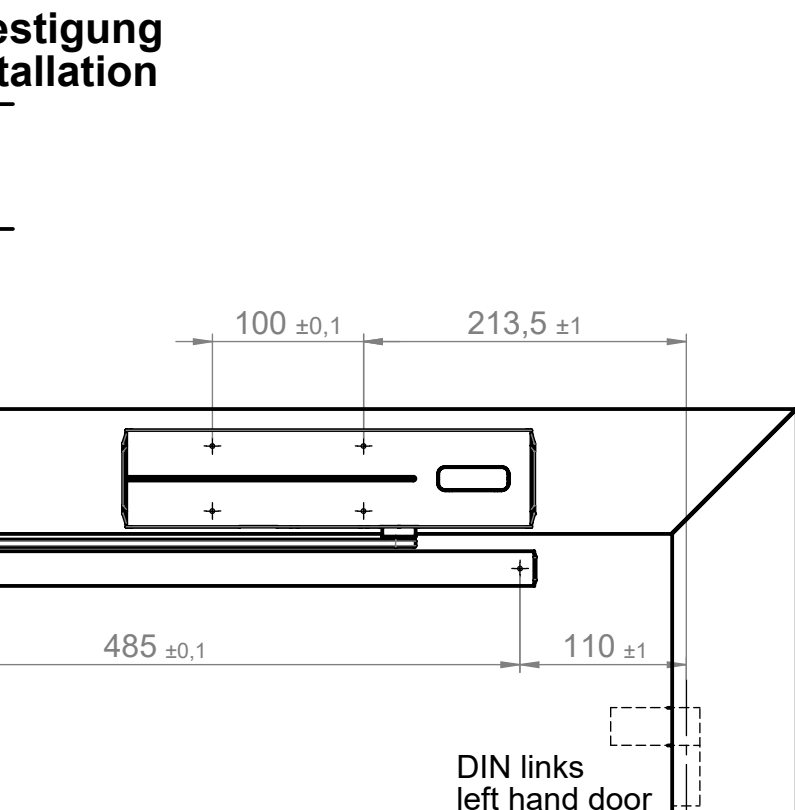
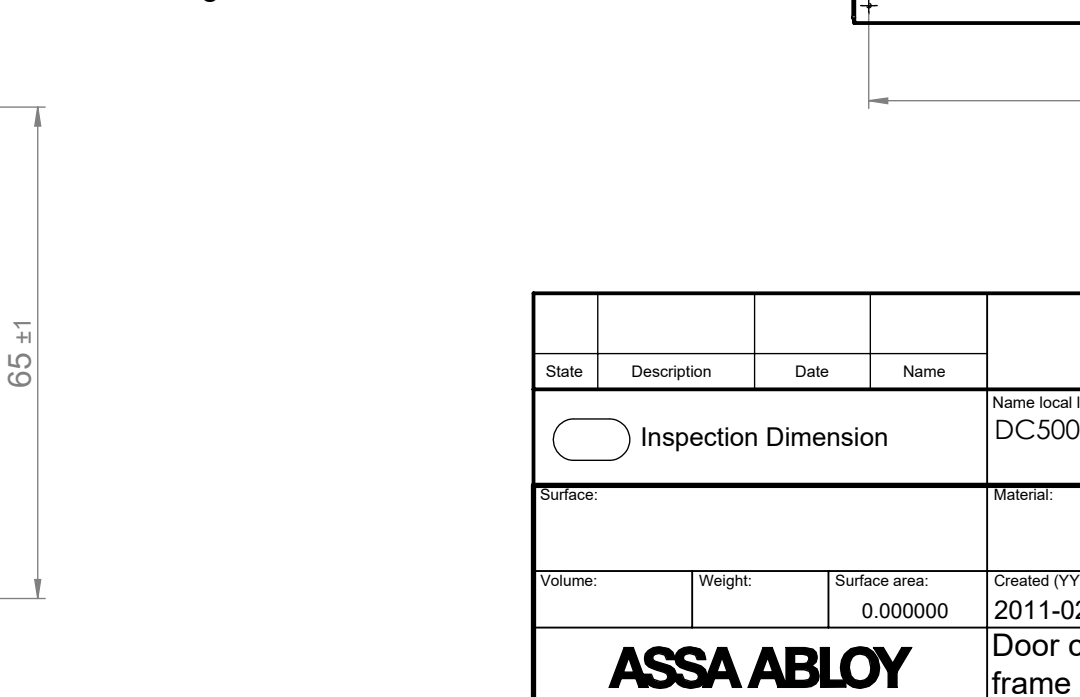
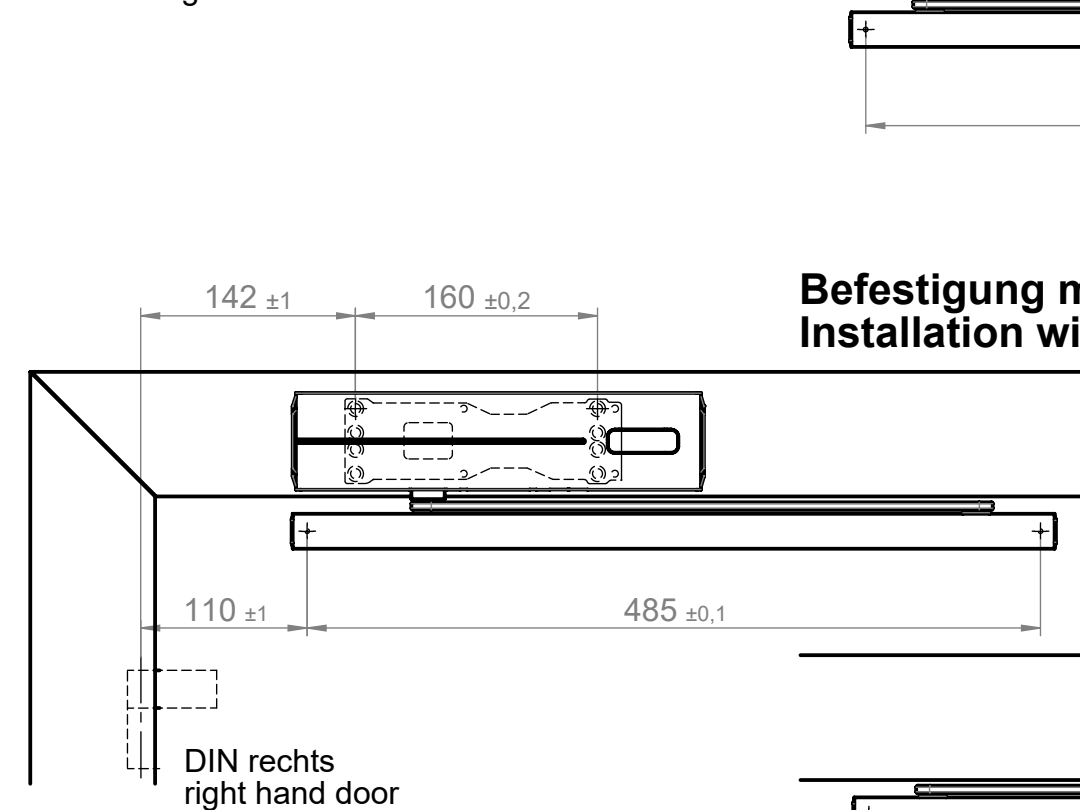
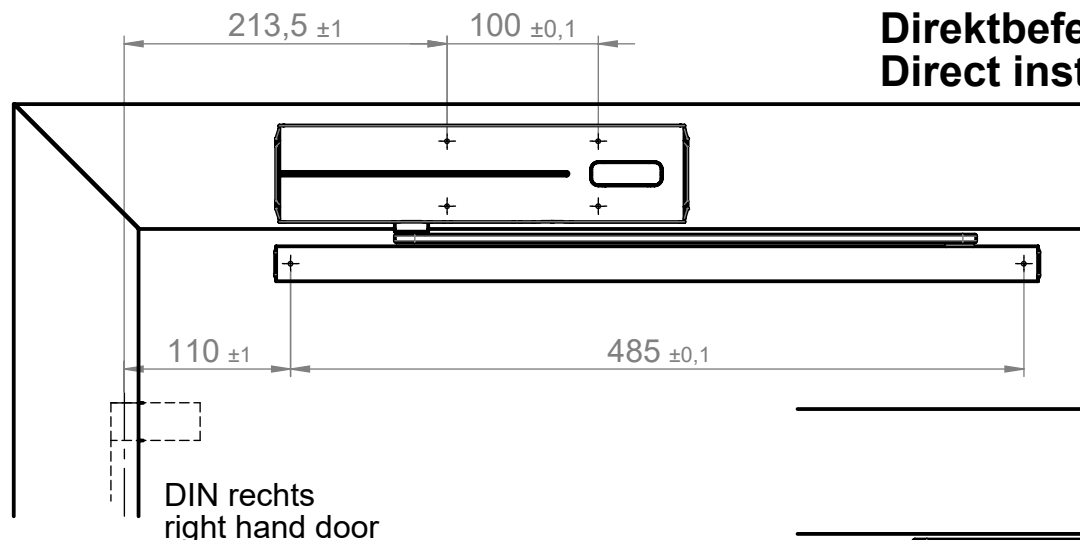
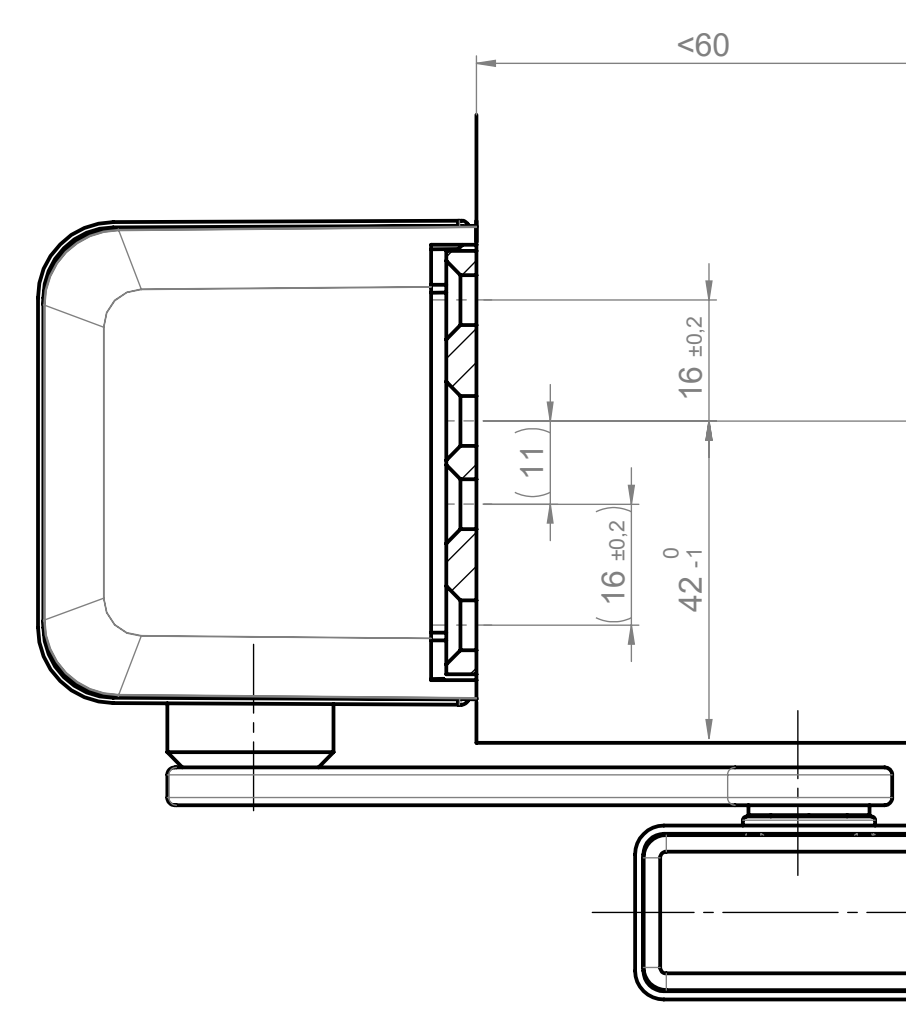
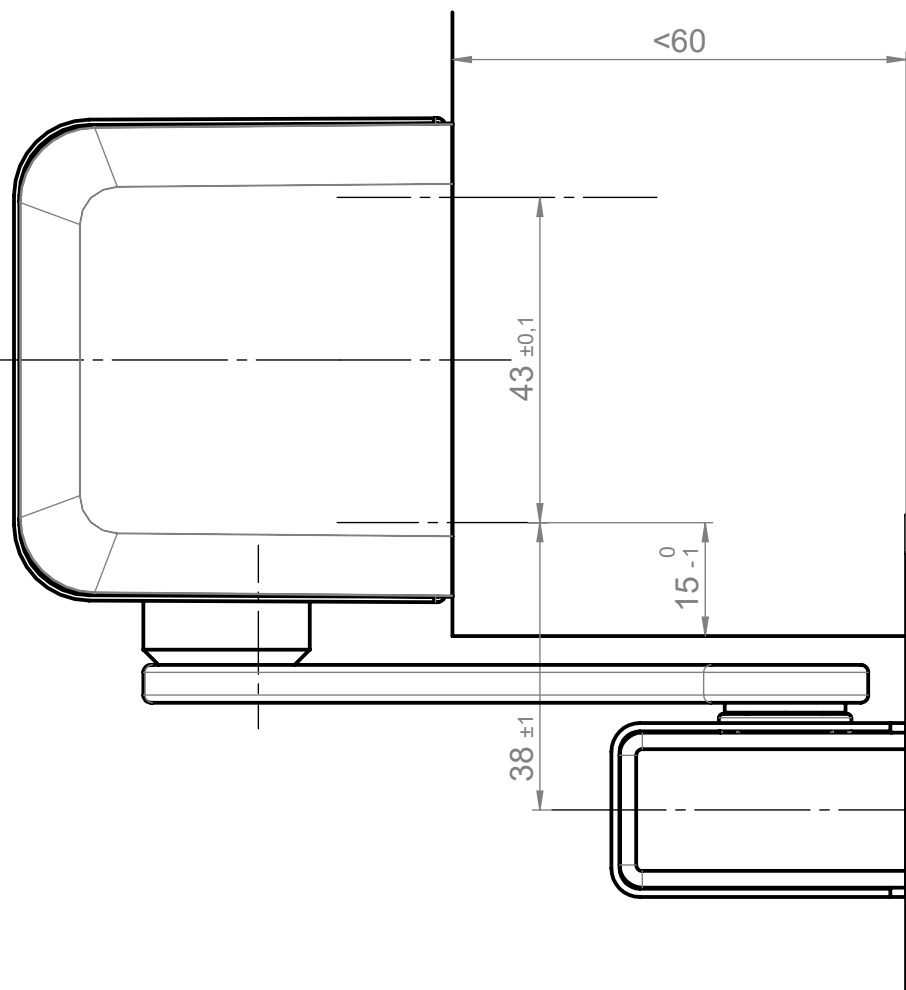


This work is copyright and no part may be reproduced, by any process, nor may any other exclusive right be exercised without the permission of ASSA ABLOY.



State	Description	Date	Name					
Inspection Dimension				Name local language				
				DC500-DC700 mit G193/G195				
Surface:				Material:				General tolerance:
Volume:	Weight:	Surface area:	Created (YYYY-MM-DD):	Designed by:	Drawn by:	Scale:	Projection:	
		0.000000	2011-02-23	JuGa	JuGa	1:5 (A3)		
<b>ASSA ABLOY</b> ASSA ABLOY Sicherheitstechnik GmbH				Door closer accessory			Alternate ID	
				frame installation opposite hinge side			Document ID	
				Kopfmontage Bandgegenseite			<b>D000326736-001</b> <b>2</b>	