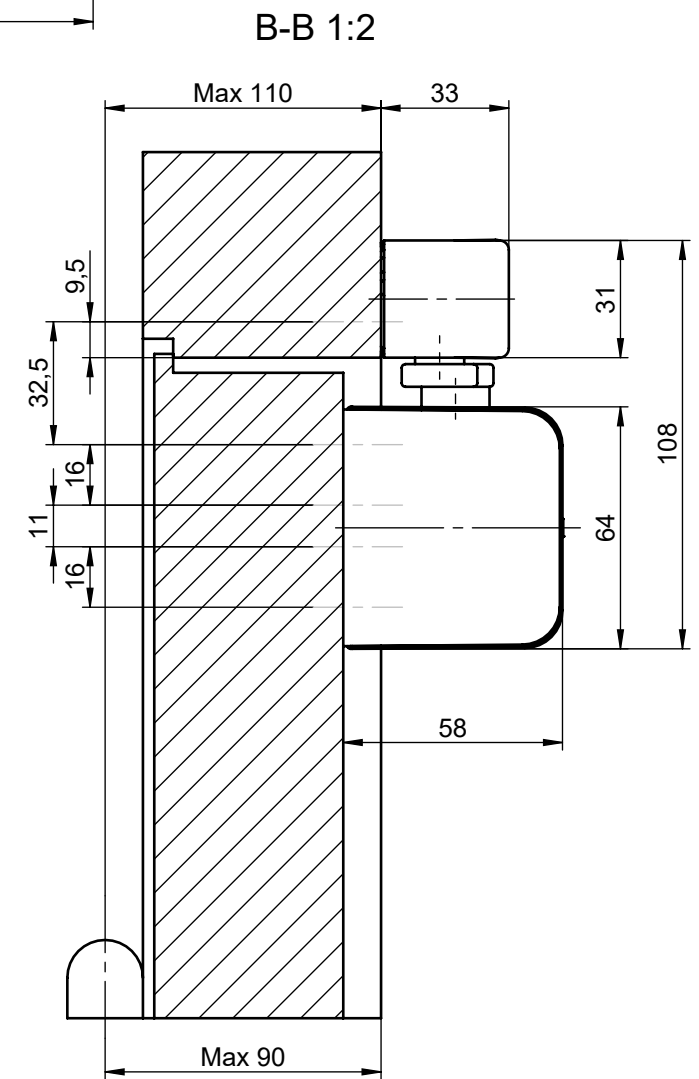
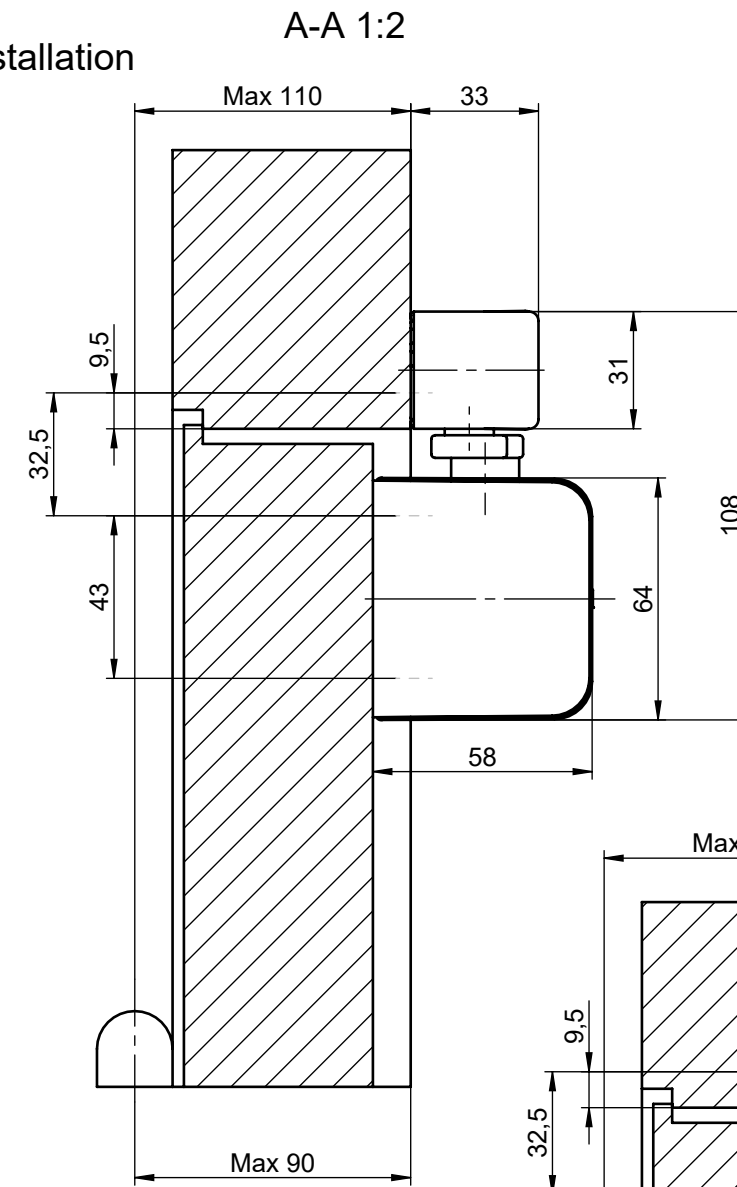
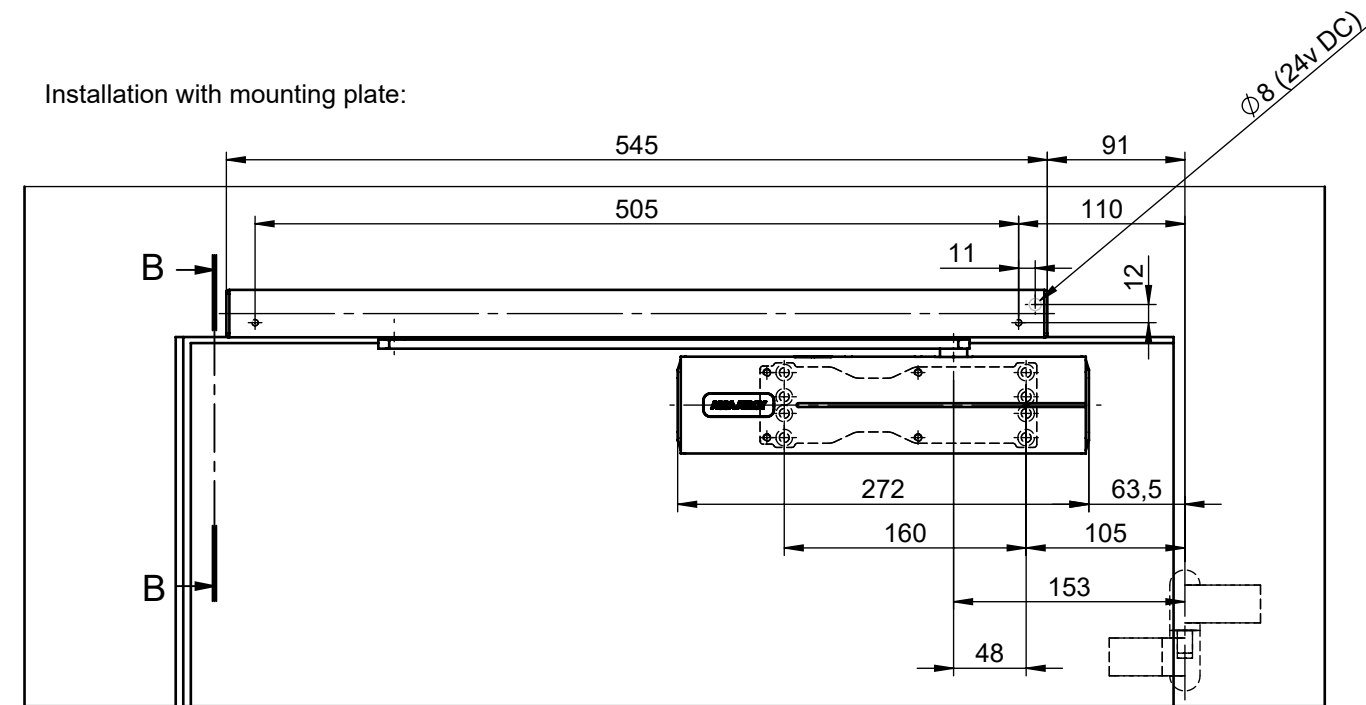
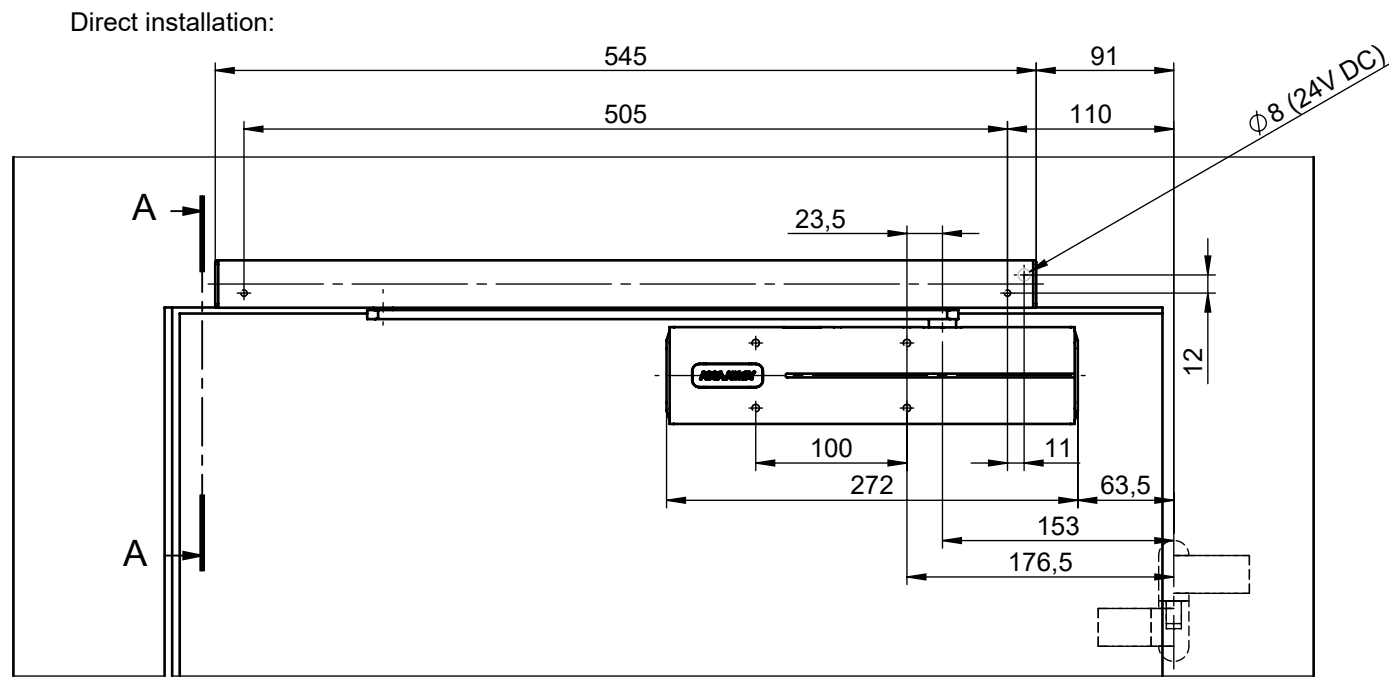


This work is copyright and no part may be reproduced, by any process, nor may any other exclusive right be exercised without the permission of ASSA ABLOY.

DC700 + G460 Non-hinge side door installation



Surface treatment:			Material:			General tolerance:		
Volume:	Mass:	Surface area:	Created (YYYY-MM-DD):	Designed by:	Drawn by:	Scale:	Projection:	
ASSA ABLOY			DC700 + G460			1:5 (A3)		
			Document ID			Rev.:		