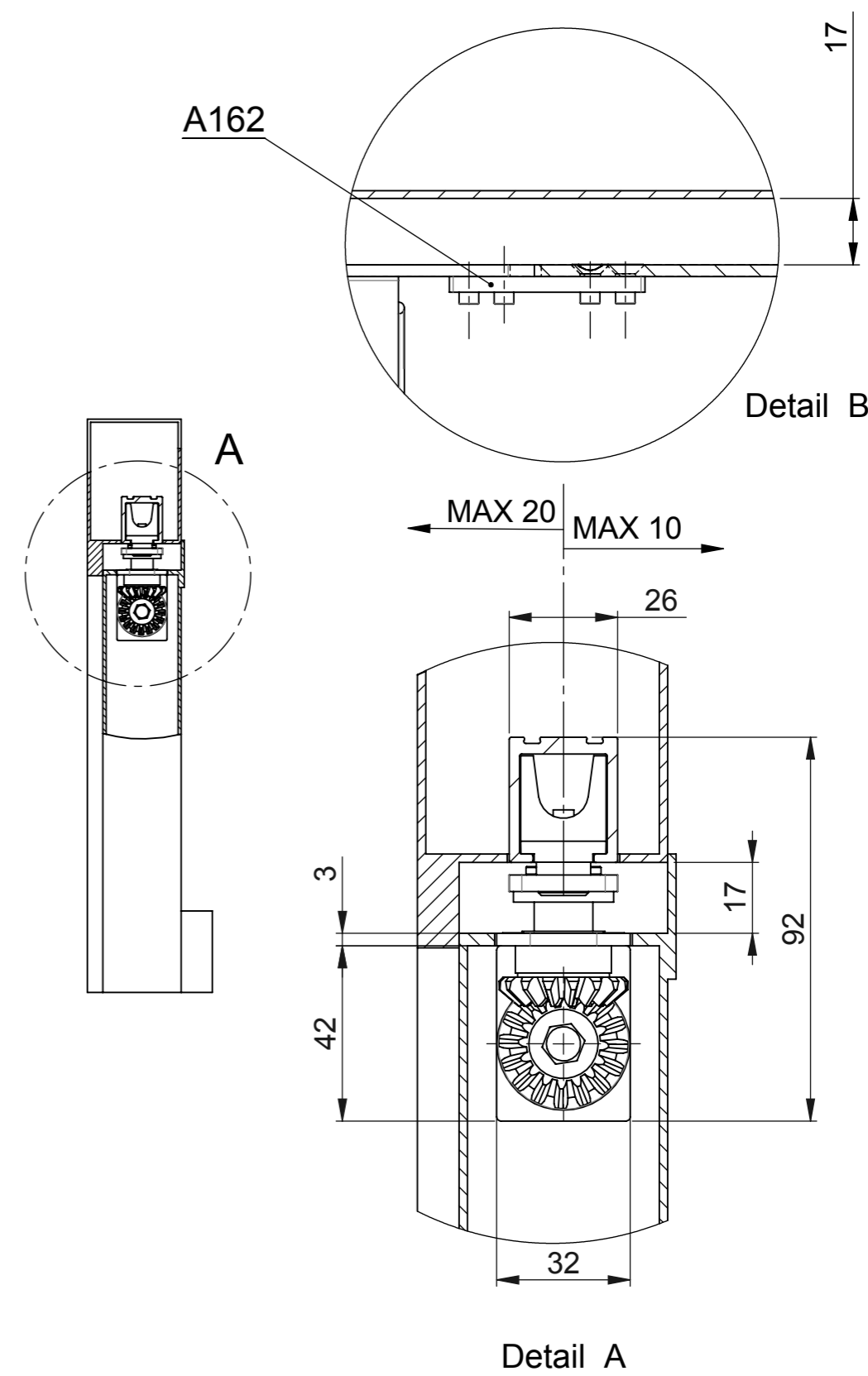
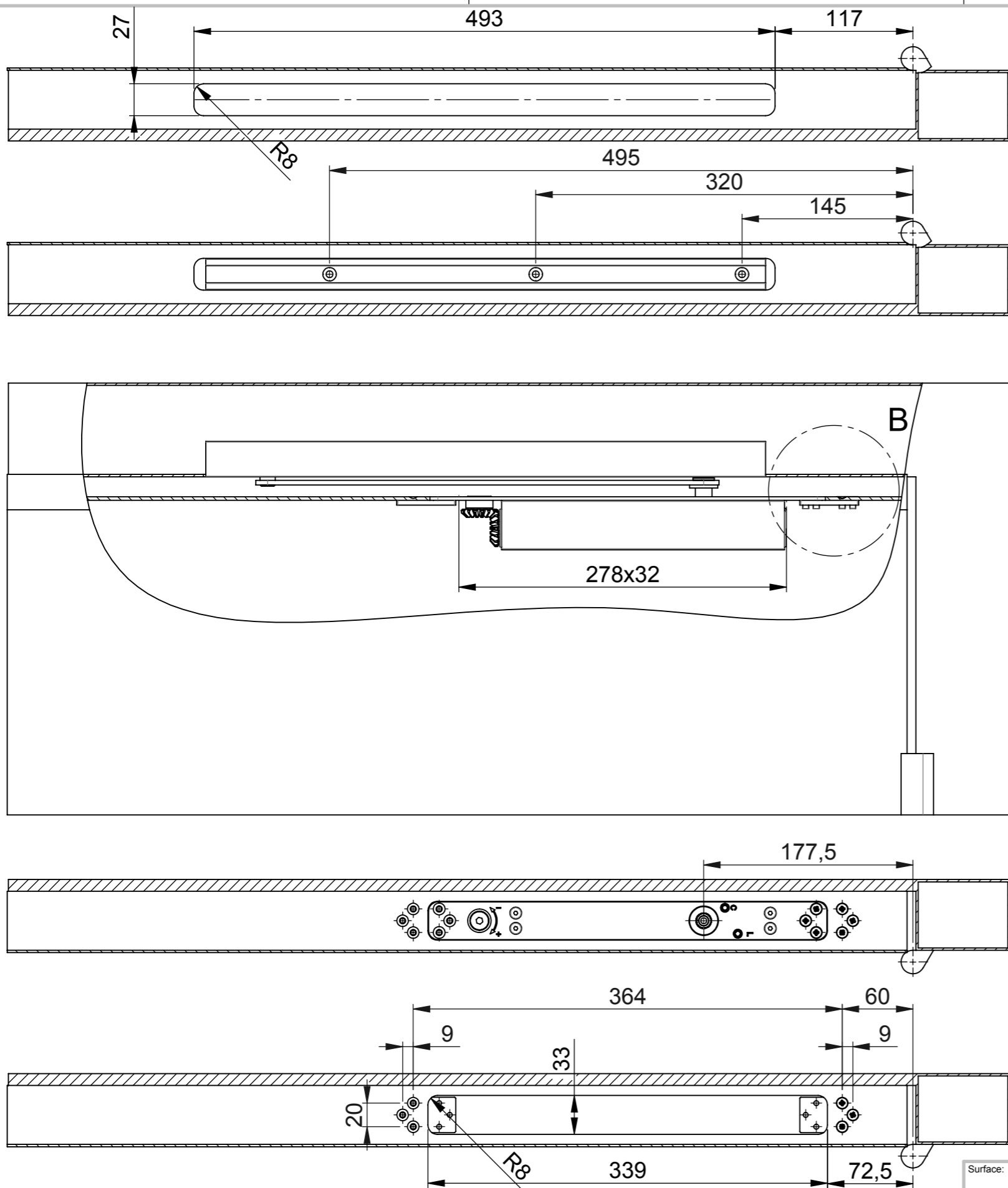


This document is our property and shall not without our permission be altered, copied, used for manufacturing or communicated to any other person or company.



Surface:			Material:			General tolerance:		
Volume:	Weight:	Surface area:	created: 29.9.2014	designed by: TommiHa	changed by:	Scale: 1:4 (A3)	Projection:	
ASSA ABLOY			DC840+G880 Metal Doors (Door installation) With fixing plates A162 Spindle extension 8mm			Alternate ID		Rev.:
						Document ID		