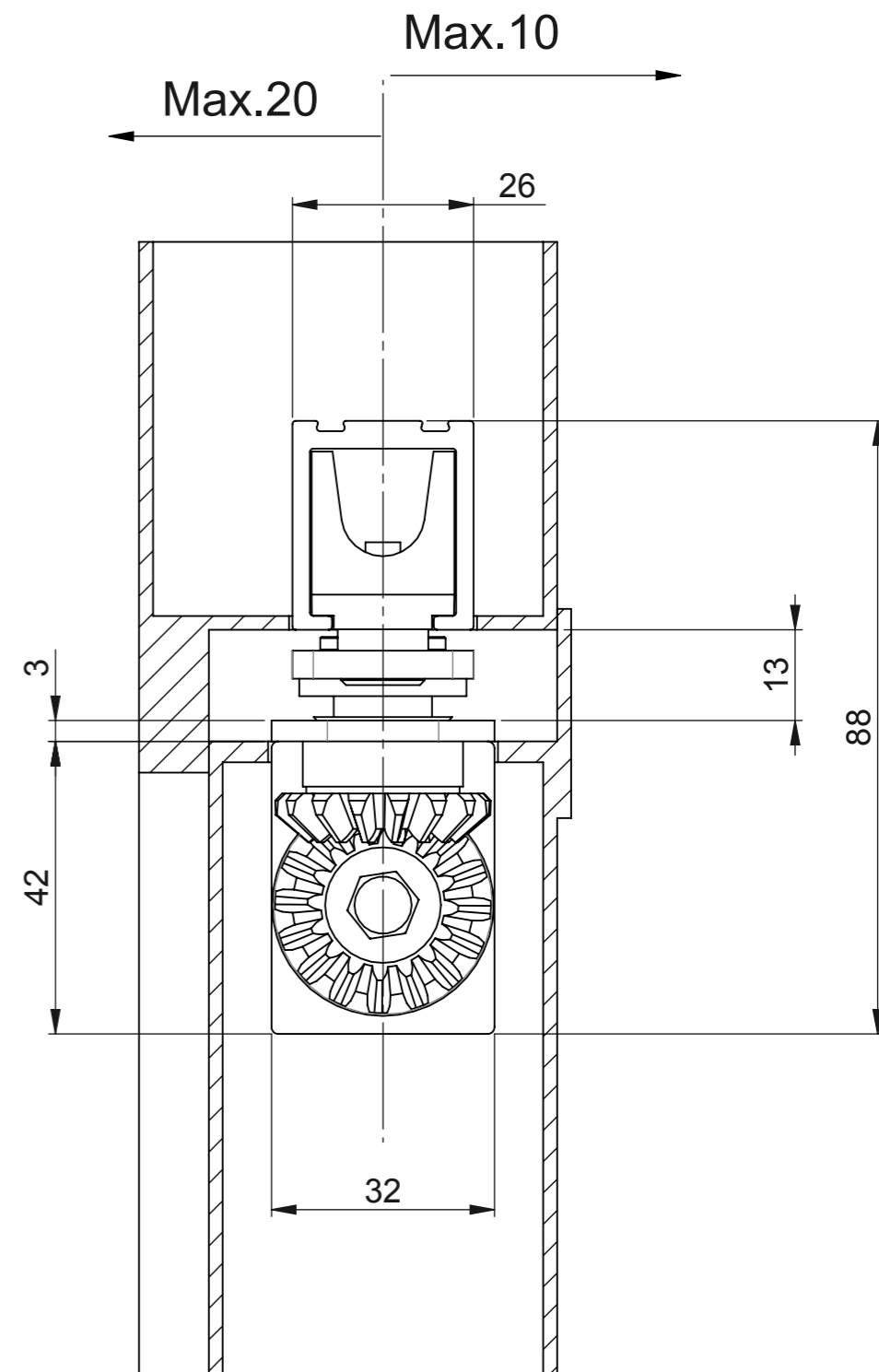
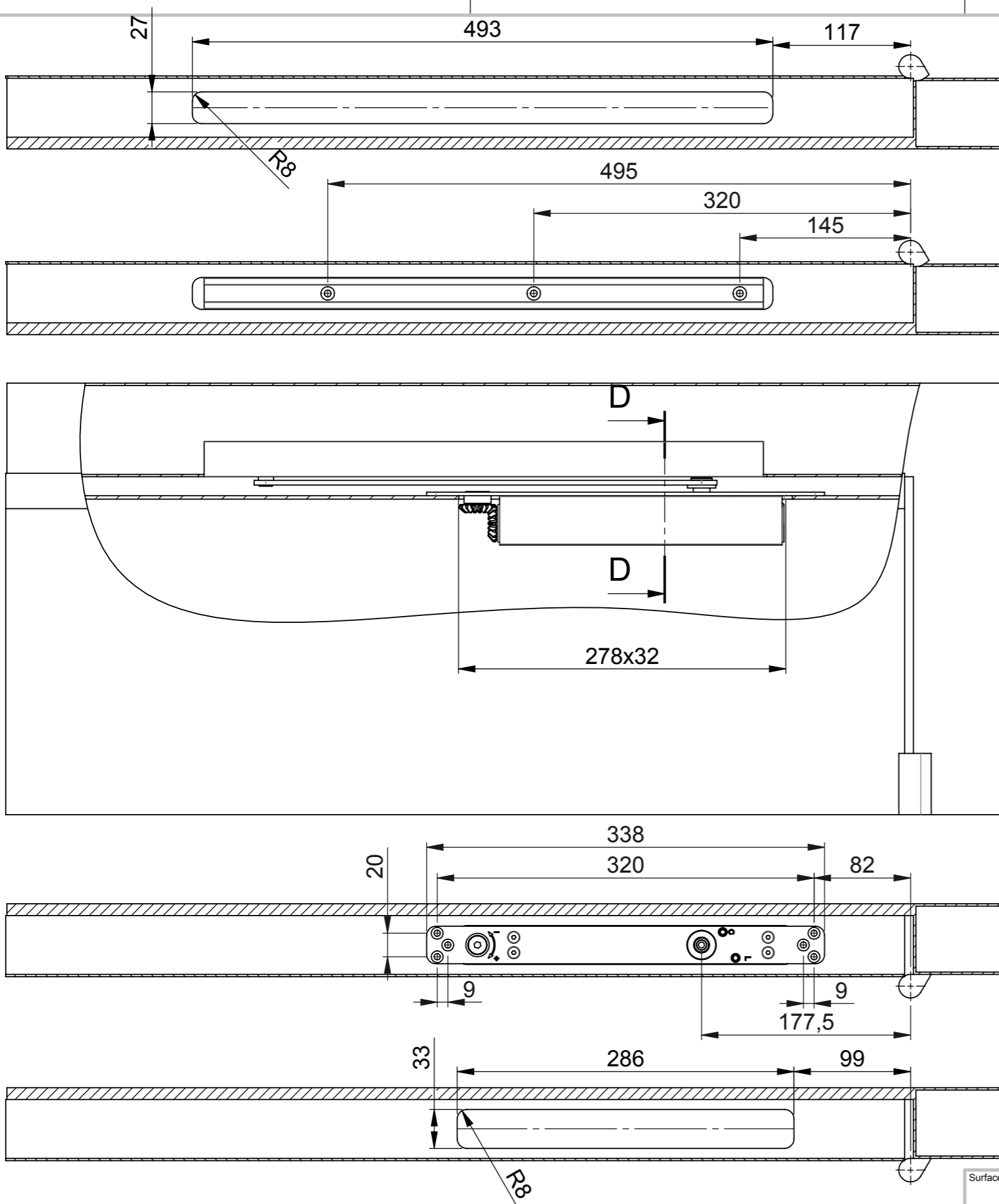


This document is our property and shall not without our permission be altered, copied, used for manufacturing or communicated to any other person or company.



D-D  
SCALE 1 : 1

Surface:			Material:			General tolerance:		
Volume:	Weight:	Surface area:	created: 29.9.2014	designed by: TommiHa	changed by:	Scale: 1:4 (A3)	Projection:	
<b>ASSA ABLOY</b>			DC840+G880 Metal Doors (Door installation) Without fixing plates Spindle extension 4mm			Alternate ID		Rev.:
			Document ID					