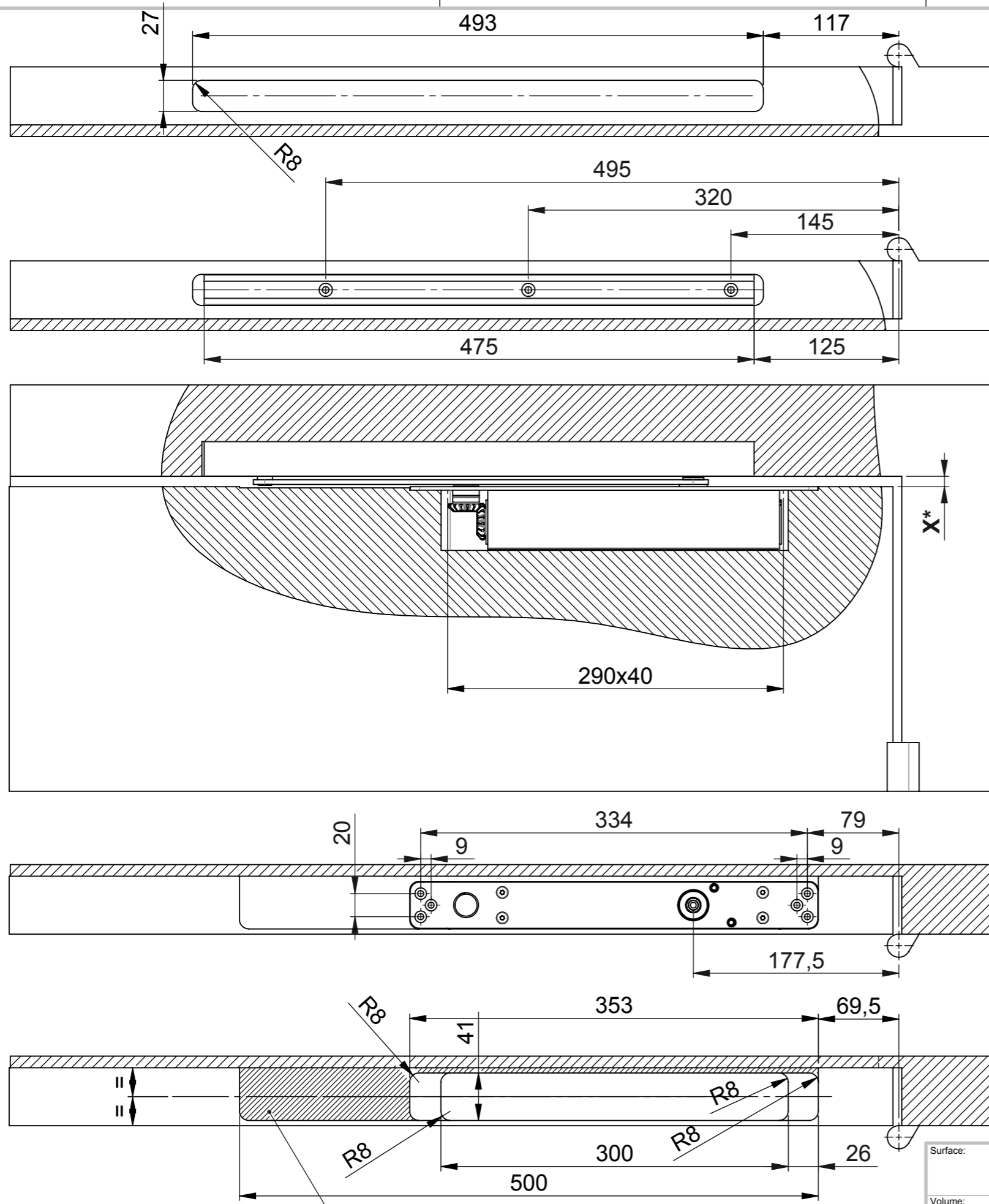
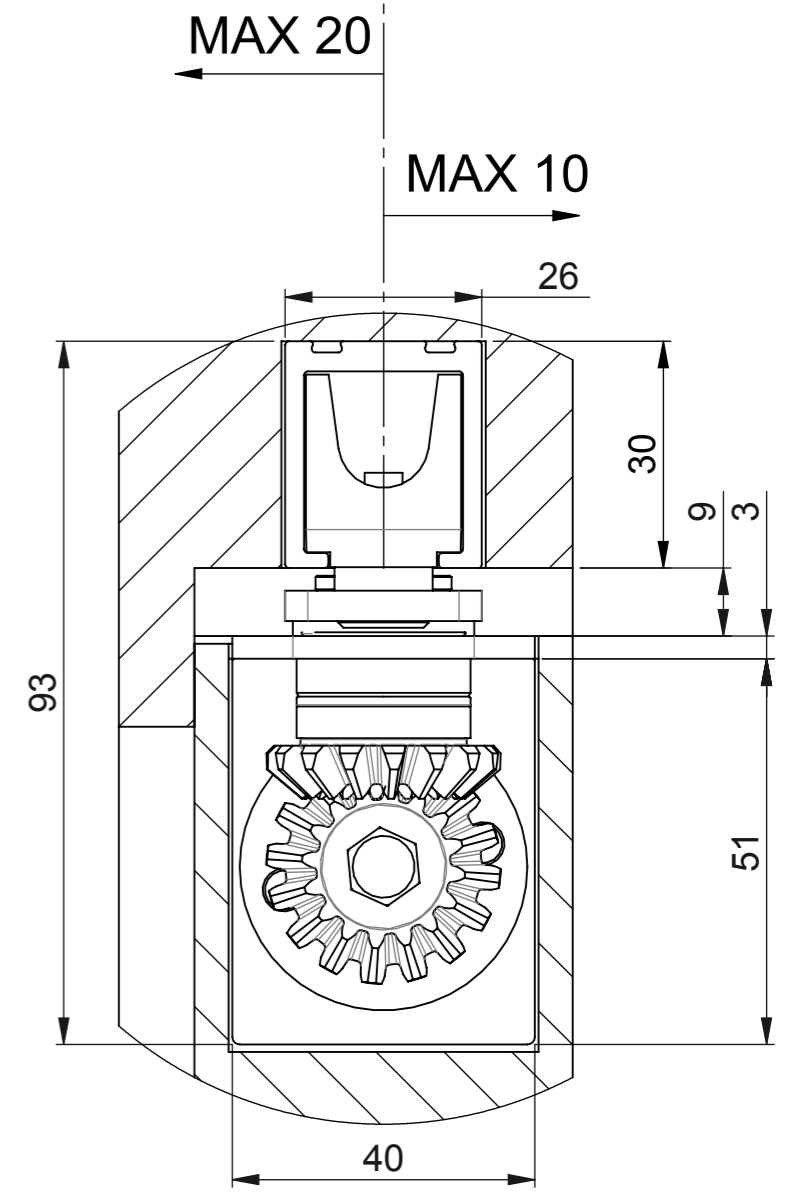
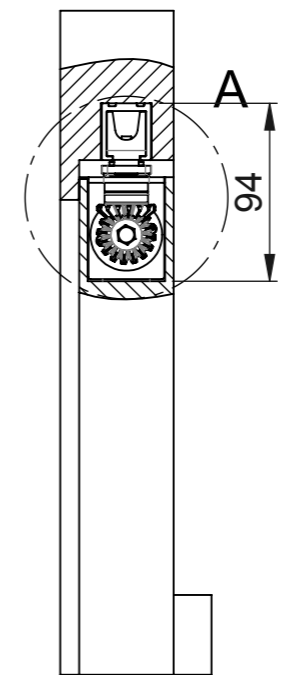


This document is our property and shall not without our permission be altered, copied, used for manufacturing or communicated to any other person or company.



Only if X is smaller than 9mm



Detail A

Surface:			Material:			General tolerance:		
Volume:	Weight:	Surface area:	created:	designed by:	changed by:	Scale:	Projection:	
			30.9.2014	TommiHa		1:4 (A3)		
ASSA ABLOY						DC860+G880 Timber Doors (Door installation)		