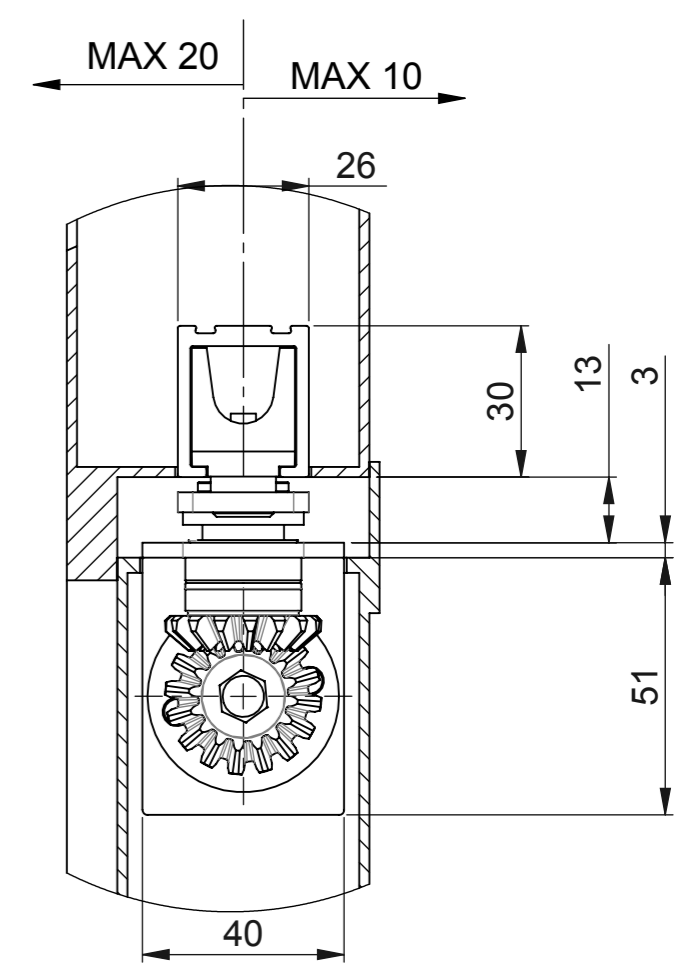
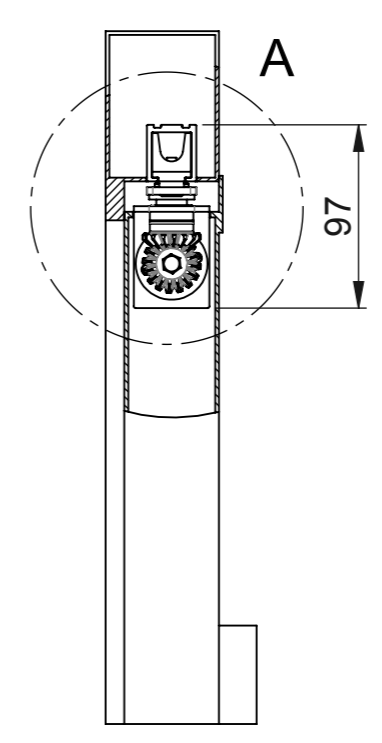
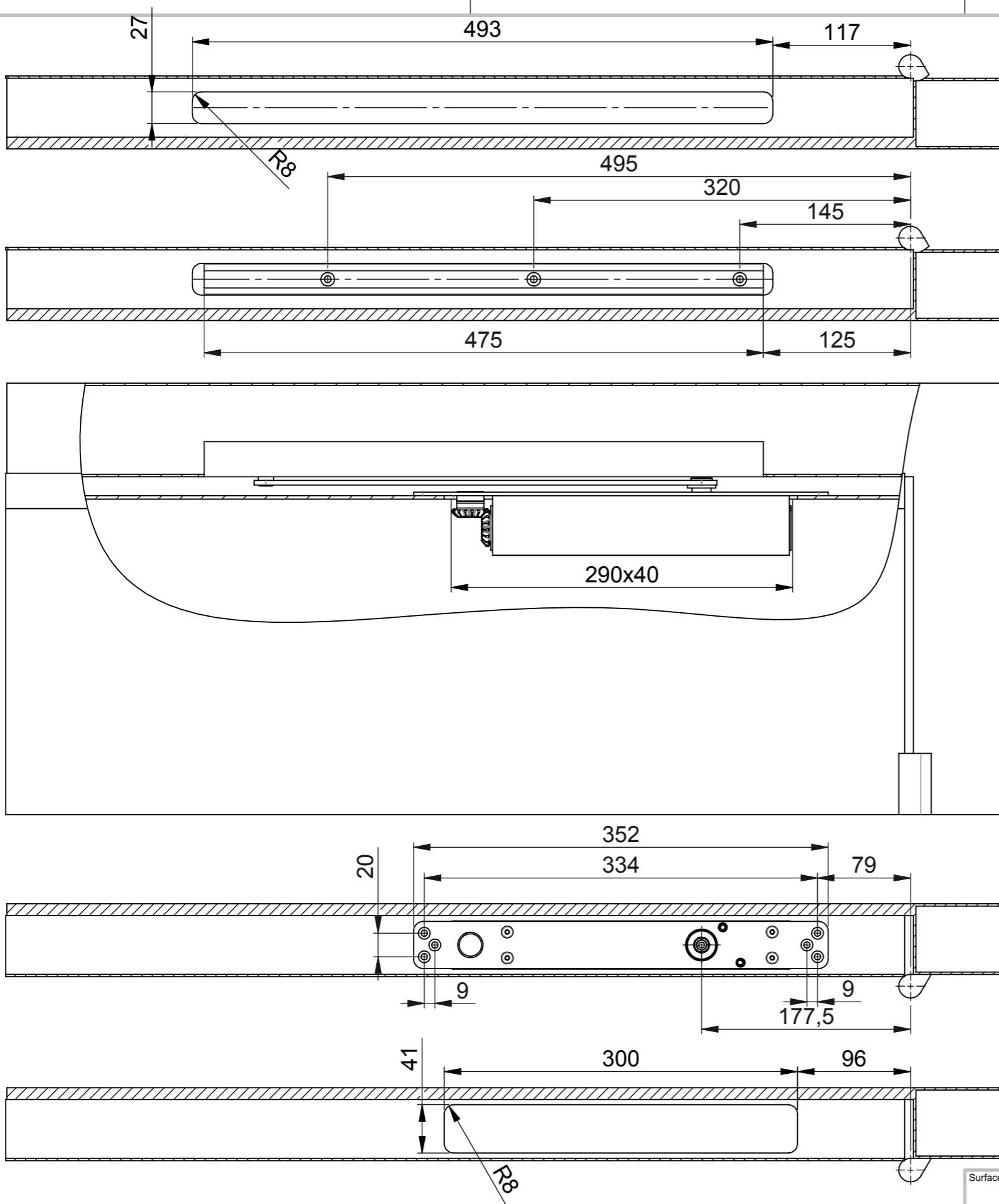


This document is our property and shall not without our permission be altered, copied, used for manufacturing or communicated to any other person or company.



Detail A

Surface:			Material:			General tolerance:		
Volume:	Weight:	Surface area:	created:	designed by:	changed by:	Scale:	Projection:	
			1.10.2014	TommiHa		1:4 (A3)		
<b>ASSA ABLOY</b>			<b>DC860+G880</b> Metal Doors (Door installation) Without fixing plates Spindle extension 4mm			Alternate ID		Rev.:
						Document ID		